



# Connections

VOLUME 17, ISSUE 13

THURSDAY, JULY 08, 2010

## WHO IS LOOKING AFTER YOU?

My computer looks after me. If I don't back up my data every so often a message pops up and tells me that it's past time to do the right thing and save my data. I don't always have my external hard disk with me, but I rarely worry about it. I'll get another reminder in a few days.



My dentist's office looks after me. I get a postcard about a week before my appointment reminding me that I'm scheduled to have my teeth cleaned and examined. When I have to check on something with them, I get a live voice not an automated menu. I appreciate the 'heads up' as well as the personal touch.

My car looks after me. I have got

a variety of little lights on my dashboard and just recently one of those lights came on to tell me that I ought to check the engine. What I was supposed to be checking it for was a mystery to me, but my mechanic thought it was worth noting and charged me several hundred dollars to fix something I didn't even know was broken.

My cell phone looks after me. When my battery starts to get low it starts chirping. At first it is occasional and leisurely. If I don't do anything about it my phone becomes more shrill and insistent. It doesn't want me caught somewhere on a deserted road in the rain without enough juice to call a tow truck.

My Bible doesn't look after me at all. In fact, my Bible has a hard time looking out for itself. It can get left in the pulpit Sunday morning, or nest in the far flap of my briefcase, or bury itself under a stack of papers, and it will neither blink on, chirp, call, or message me. When it comes to scripture I'm pretty much on my own, and I'm here to tell you I resent it.

My daily devotional doesn't look after me either. I'm usually following 2-3 daily devotions at any given time because the one I need is never where I am looking for it. When I find the book I want it



*(Continued on page 2)*



## MEMORIAL PROJECT COMPLETED

A new fence, providing security for the young children's playground, has recently been installed. Funds for this project were provided by Linda Moriarty, given as a memorial to her parents, Charles W. and Nita. E. Vaughan. Linda's parents lived most of their lives in the Cincinnati area.

The fence was installed by Matt Klenosky and his Scouting friends and parents, as a community service project for his Eagle Scout award.

(Continued from page 1)

fails to notify me when I am hurrying through it, barely paying attention. It doesn't always reward me with immediate insight to carry me through the day. It doesn't necessarily warn me of the temptations I may have to face in the next 24 hours. Basically, the whole thing is up to me.

DAILY BIBLE READING



Caring for and growing our spirits isn't something the world around us values much. There aren't apps for it on your iPhone; it isn't usually covered in your gym membership, and your boss will rarely call you on the carpet for neglecting your soul. At the same time we live in a demanding, complex, mixed message world. Everybody is trying to sell us something, and in order to do that, they will go to great lengths to prey upon our insecurities and anxieties. If it can't be improved and upgraded, made worry-free, or tied to an extended service contract the "world" just isn't interested.

So how then, do we apprentices of Jesus grow the kind of spirits and develop the kind of character that will resonate with the King? Are we really left on our own to fend for ourselves?

My church looks after me. When we're firing on all cylinders as a community of faith, we are the ones individually and collectively who look after one another's souls. We tell our new members two things: you know best what you need to grow in the faith, and you won't really become part of St.

Andrew unless you find a smaller group to be a part of. You might join the choir, a Bible Study, a ministry team, a fellowship group or any other

kind of smaller gathering of fellow Christians, but until you do it's hard to really be connected to the Body of Christ.

Think it through with me.

My church looks out for me by popping up with a message every Sunday morning, saying—among other things--"Have you turned over your heart, mind, soul, and strength to God this week? Have you deleted your sin and/or backed up your faithfulness over the last seven days?"

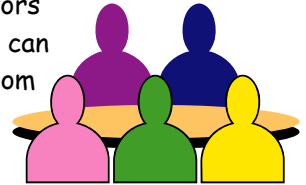
My church looks out for me by sending me a newsletter every other week or so, letting me know all the ways I can get involved in the cause of Christ as I get closer to my brothers and sisters. When I call the church office I not only get a live voice, but I get someone who genuinely cares about me.



My church looks out for me by making sure my children and I get all the instruction we need in the Owner's Manual of life so that when a warning light goes on in my head or my heart I have a good sense of how I should respond to it. Adult growth and learning classes on Sunday

morning are a wonderful complement to the Sunday School program we have for our children and youth. What we don't have we're usually willing to consider starting if the need and desire for a study or prayer group is there.

My church looks out for me by providing pastors and staff who can offer me wisdom and counsel when I need and want it



and sometimes when I don't want to hear it at all. Our church staff at St. Andrew are uniquely gifted and caring people who can listen and offer support when I'm going through a tough time. They are also called and gifted to give me a little push every now and then and hold me accountable when I've let my batteries run down and I am in danger losing connection to the living God.

One of John Wesley's first questions for his pastors and lay leaders when he met with them was "How is it with your soul?" This was no invitation on Wesley's part to have his leaders pull out their spiritual resume or Christian to-do lists. This was a serious question designed to help the people he was closest to remember how important it is to keep our souls fed and spirits vibrant. For Wesley it was one of the primary purposes of Christ's church. I pray that it continue to be so for us as at St. Andrew as well.



*Blood Pressure Screenings  
July 11  
between services &  
after second service  
in Pastor Pat's office*

## Keeping In Touch with InTouch: New Webpages to Launch! By Monica Arrowsmith

One of my favorite passages in the Bible is Acts 2:42-47. In the NIV, the passage header for this text is *The Fellowship of the Believers*. I love this text because when I read it I can feel it! I can feel the excitement among them—their discovery of Christ and being a part of something true and real. I can feel the joy that the new believers have - in living their new faith and in sharing it with all those around them. There is nothing like that feeling of awe, when you have found what you were looking for and the mysteries of God seem to all of a sudden begin appearing right before your very eyes and deep within your open heart. The laughter and confidence of the new believers practically spills off the page!

When I read this text, I am also

left wanting, left feeling that this glimpse of the early believers is precisely what God had in mind for His Church. Verse 45 says, *"Selling their possessions and goods, they gave to anyone as he had need."* Can you imagine that? That there would be so much caring of each other, of loving others, that we would not have need and really would "enjoy the favor of all the people." This concept of meeting all of each other's needs is repeated later in Acts as well.

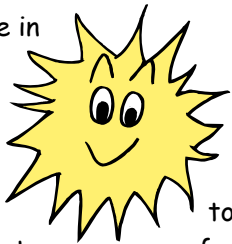
Of course, critical to meeting each others' needs, to caring for and loving each other, is actually knowing each other's needs. This is not always as obvious as you would think, and many of us really stink at sharing with others that we have need, that we

could use a lift of some kind—whether in word, thought or deed. But, take heart! Later this month, InTouch will be joining the St. Andrew website, which will feature a place for you to let us know of your needs. You will be able to share a prayer request, request a hospital or home visit, or let us know of someone that you think could really use a card. It is easy to use, just click on the Request link, and request away! The requests will automatically be sent to InTouch staff, who will confidentially coordinate them.

We are really excited to offer this additional way of letting your church know your needs, giving us all the opportunity to more closely experience the fellowship of the believers that the early church experienced!

## Tips for Safely Enjoying the Summer Sunshine

Summer is here in Indiana! We all enjoy the sunshine, but sometimes it isn't so kind to us. Here are just a few tips to help protect you and your family from some of the dangers associated with summer and sun exposure.



tion is especially key during the summer months when more of our skin is exposed and we are spending more time outdoors. The CDC recommends these easy options for sun protection:

- ◆ Use sunscreen with sun protective factor (SPF) 15 or higher and both UVA and UVB protection.
- ◆ Wear clothing to protect exposed skin.
- ◆ Wear a hat with a wide brim to shade the face, head, ears, and neck.

- ◆ Wear sunglasses that wrap around and block as close to 100% of both UVA and UVB rays as possible.
- ◆ Seek shade, especially during midday hours.

### Heat-Related Stress

With heat, humidity and outdoor summertime activities on the rise, be on the lookout for signs of heat-related stress. Some symptoms of heat exhaustion to watch out for are: heavy sweating, paleness,

*(Continued on page 4)*

## ECHOES OF THE GOSPEL

### Book Group Meeting

Sunday, July 18, 6-7:30 p.m.

### *The Complete Short Stories of Mark Twain*

You and your friends are invited to St. Andrew's next book group meeting, **Sunday, July 18, 6-7:30 p.m.**, in Adult I. We will be talking about *The Complete Short Stories of Mark Twain*, which is the Greater Lafayette Community "One Great Read" for this summer. This year is the 100th anniversary of Mark Twain's death. He is legendary as a humorist and outstanding story teller. This special collection of sixty stories (a Bantam Classic paperback edition) is available for checkout at all of the local libraries.



This is a great chance to join our book group discussion without reading a whole book. We decided that each of us will pick one of the stories to read and lead the discussion for it. Those selected so far are "The Mysterious Stranger" (by Pastor Tim) and "Was it Heaven or Hell" (by Barb Jones). You can read just those...and as many of the other sixty as you wish. Some are just a few pages long.

"Echoes of the Gospel" is a group that talks about books, applying the lens of our faith and our understanding of lessons we learn from the Bible. It is an informal group and a good place to get to know others at St. Andrew. Some read every book and come to every session. Others attend just when the chosen book is of interest. You are always welcome to enjoy the conversation, whether you have read the book or not.

(Continued from page 3)

### ...Summer Sunshine

muscle cramps, tiredness, weakness, dizziness, headache, nausea or fainting. People experiencing symptoms should be moved to a cool, shady or air-conditioned area and provided cool, non-alcoholic beverages.

To help prevent heat-related stress, drink plenty of fluids and avoid alcohol and caffeine; they can add to dehydration and increase the effects of heat illness. Also, avoid outdoor activities during the hottest parts of the day.

Have a fun, safe and healthy summer.

### Let Us Know...

Please remember to let us know if there is someone in our congregation who would benefit from receiving a card, phone call, or visit from our ministry. We'd also like you to let us know about scheduled and emergency hospital stays. Our ministry works best when we know whom and how we can help. Please call the church office at 497-7755 with specific information.

## VOLUNTEER HELP NEEDED AT LUM

Lafayette Urban Ministry is in need of volunteer afternoon receptionists to work one afternoon each week at the LUM Office at 420 N. 4th Street, Lafayette.



Volunteers will be responsible for greeting visitors, directing a multi-line telephone system and general office tasks. Positions are available for one or more afternoon(s) per week or a minimum of twice per month. (They are flexible!) Applications are available on LUM webpage at [www.lafayetteurbanministry.org](http://www.lafayetteurbanministry.org) or by emailing [smohler@lafayetteurbanministry.org](mailto:smohler@lafayetteurbanministry.org). You can also stop by the office at 420 North 4th Street, Lafayette, IN 47901, between 9:00 a.m. and 4:30 p.m., Monday through Friday. For more information contact: Office Manager—765-423-2691

## Hold That Date! Blueberry Palooza

**Saturday, August 28**  
5-7 p.m.

Join us for an evening of food, fun, and friends!



## SUMMER ADVENTURE WITH OUR CHILDREN

Do you enjoy art, cooking, games or movies? Would you like to teach a Sunday school lesson based on one of these hobbies? We're looking for teachers for session three of our summer Sunday school which meets July 25, August 1, 8. You prep one lesson (curriculum provided) and teach it each of the three weeks to a different group of kids. It couldn't be easier or more fun!



We are also still looking for someone to teach the Sprouts (2 and 3 year olds) class during session 3 (July 25, Aug. 1, 8). Please contact Melissa at 497-7755 or [melissa@andrew-umc.org](mailto:melissa@andrew-umc.org) if you are interested!

## NOTE FROM YOUR SECRETARY...



In a recent bulletin, I had a very obvious and humorous typo that was mentioned to me several times. It said the Hymn of Praise was *O for a Thousand Tongues to Sin*. While I know these kind of mistakes shouldn't happen, I also realize they do happen all the time and to other secretaries besides myself. Since everyone had fun with that mistake, I thought you might

enjoy seeing some of the other "goofs" that have appeared in bulletins and newsletters from other places. I will run some of these from time to time if space permits. Enjoy!

- ❖ "The church is starting a New Young Mother's Group. Anyone desiring to be a new young Mother is to meet with the pastor in his office."
- ❖ "Next Sunday is the family hayride and bonfire at the Fowlers'. Bring your own hot dogs and guns. Friends are welcome! Everyone come for fun time."
- ❖ "Ladies, don't forget the rummage sale. It's a chance to get rid of those things not worth keeping around the house. Don't forget your husbands."
- ❖ "Bertha Belch, a missionary from Africa will be speaking tonight at The Calvary Memorial Church in Racine. Come tonight and hear Bertha Belch all the way from Africa."

and my personal favorite...

- ❖ "Remember in prayer the many who are sick of our community. Smile at someone who is hard to love. Say "hell" to someone who doesn't care much about you, and hopefully they will respond."

## I'M FEELIN' BLUE, HOW ABOUT YOU?



It soon will be time for our 5<sup>th</sup> annual Blueberry Palooza! Plan to attend on August 28 from 5-7 p.m. This is an evening of fun for our entire St Andrew family, as well as a wonderful community outreach event. As always, we will have free food, games, music, a bounce house, and the inflatable obstacle course, but best of all, ice cream and, of course, lots of blueberries.

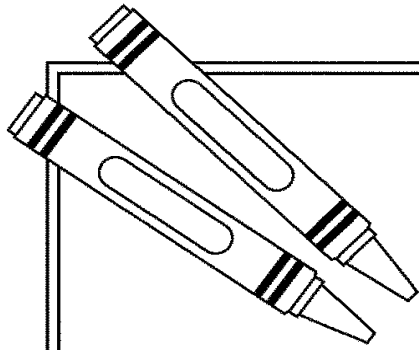
We need your help! Please Sign up in The Commons August 8 or 15 to:

- serve ice cream
- help in the kitchen
- be a face painter
- welcome our guests
- help with the games

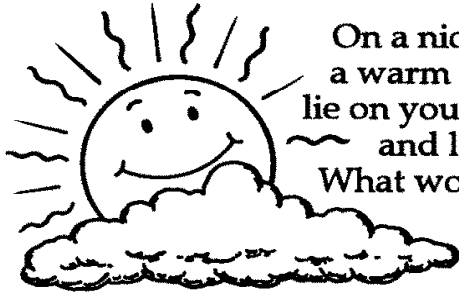
You can also call the office to offer your help. If you have any questions, you can e-mail Laurie Klenosky at [laklenosky@gmail.com](mailto:laklenosky@gmail.com).

Make plans now to join us on August 28!





# Just for KIDS



On a nice summer day or a warm summer evening, lie on your back out-of-doors and look at the sky. What wonders do you see?



Find some answers by looking up these Bible verses.

- Across**
- Psalm 97:2
  - Isaiah 45:7
  - Jeremiah 31: 35
  - Job 35:10
  - Job 38:31

- Down**
- Job 38:35
  - Genesis 15:5
  - Deuteronomy 33:26
  - Isaiah 44:23
  - Matthew 17:2

Fit the answers in the boxes below.

Unscramble the letters in the circles to find who created these things. \_\_\_\_\_

**Across:** 1. clouds; 6. darkness; 8. moon; 9. night; 10. Orion  
**Down:** 2. Lightnings; 3. stars; 4. skies; 5. heavens; 7. sun  
 Who created all these things? GOD

# ST. ANDREW CONNECTIONS

## July 2010

Sunday	Monday	Tuesday	Wednesday	Thursday	Friday	Saturday
				<b>1</b> <b>6:00 PM</b> Tippecanoe Fly Fishing Fellowship <b>6:30 PM</b> Praise Team Rehearsal	<b>2</b>	<b>3</b>
<b>4</b> <b>Independence Day</b> <b>8:45 AM</b> Traditional Worship <b>10:00 AM</b> Great Chapters Class <b>10:00 AM</b> Sunday School <b>11:00 AM</b> Contemporary Worship <b>5:00 PM</b> Youth Choir	<b>5</b> <b>7:00 PM</b> Boy Scout Troop Comm. Mtg. <b>7:00 PM</b> Prayer Shawl Ministry	<b>6</b> <b>10:00 AM</b> Traditional Worship Planning Team <b>12:30 PM</b> Contemporary Worship Team Planning <b>6:30 PM</b> Sr. High Mission Leaders	<b>7</b> <b>6:00 PM</b> Staff meeting	<b>8</b> <u>Newsletter Published</u> <b>6:30 PM</b> Praise Team Rehearsal	<b>9</b>	<b>10</b> <b>9:00 AM</b> St. Andrew Men's Group
<b>11</b> <b>8:45 AM</b> Traditional Worship <b>10:00 AM</b> Blood Pressure Screening <b>10:00 AM</b> Great Chapters Class <b>10:00 AM</b> Sunday School <b>11:00 AM</b> Contemporary Worship <b>12:00 PM</b> Blood Pressure Screening <b>5:00 PM</b> Youth Choir <b>6:00 PM</b> C.I.A. Youth Group <b>6:00 PM</b> T.O.M. Youth Group	<b>12</b> <b>7:00 AM</b> Staff/Parish meeting <b>7:00 PM</b> Boy Scout Troop Comm. Mtg. <b>7:00 PM</b> CareNotes <b>7:00 PM</b> Education meeting <b>7:00 PM</b> Trustees meeting	<b>13</b> <b>10:00 AM</b> Traditional Worship Planning Team <b>11:00 AM</b> Staff meeting <b>12:30 PM</b> Contemporary Worship Team Planning <b>7:00 PM</b> Follow-on Campaign meeting <b>7:00 PM</b> Kaufman Eagle Court of Honor	<b>14</b> <b>7:00 PM</b> Third Service Task Force <b>7:30 PM</b> Community Ministries	<b>15</b> <b>6:30 PM</b> Praise Team Rehearsal	<b>16</b>	<b>17</b> <b>9:00 AM</b> Boy Scout Planning Day <b>7:00 PM</b> C.I.A. Youth Group
<b>18</b> <b>8:45 AM</b> Traditional Worship <b>10:00 AM</b> Great Chapters Class <b>10:00 AM</b> Sunday School <b>11:00 AM</b> Contemporary Worship <b>5:00 PM</b> Youth Choir <b>6:00 PM</b> Echoes of the Gospel <b>6:00 PM</b> T.O.M. Youth Group	<b>19</b> <u>Newsletter Articles Due</u>	<b>20</b> <b>10:00 AM</b> Traditional Worship Planning Team <b>11:00 AM</b> Staff meeting <b>12:30 PM</b> Contemporary Worship Team Planning <b>7:00 PM</b> Boy Scouts <b>7:00 PM</b> Finance meeting <b>7:30 PM</b> Alpha & Omegas	<b>21</b> <b>7:00 PM</b> Worship Committee	<b>22</b> <u>Newsletter Published</u> <b>1:00 PM</b> Conference Africa University meeting <b>6:30 PM</b> Praise Team Rehearsal	<b>23</b> <b>5:30 PM</b> Hoover/Marmolejos Wedding Rehearsal	<b>24</b> <b>3:30 PM</b> Hoover/Marmolejos Wedding
<b>25</b> <b>Sr. High Mission Trip</b> <b>8:45 AM</b> Traditional Worship <b>10:00 AM</b> Contemplative Bible Study <b>10:00 AM</b> Great Chapters Class <b>10:00 AM</b> Sunday School <b>11:00 AM</b> Contemporary Worship <b>5:00 PM</b> Youth Choir <b>6:00 PM</b> Alpha & Omegas (Daily Walk Bible) <b>6:00 PM</b> T.O.M. Youth Group	<b>26</b> <b>Sr. High Mission Trip</b>	<b>27</b> <b>Sr. High Mission Trip</b> <b>10:00 AM</b> Traditional Worship Planning Team <b>11:00 AM</b> Staff meeting <b>12:30 PM</b> Contemporary Worship Team Planning <b>6:00 PM</b> Patrol Leaders' Council <b>7:00 PM</b> Boy Scouts	<b>28</b> <b>Sr. High Mission Trip</b> <b>7:00 AM</b> Kitchen Cabinet	<b>29</b> <b>Sr. High Mission Trip</b> <b>6:30 PM</b> Praise Team Rehearsal	<b>30</b> <b>Sr. High Mission Trip</b>	<b>31</b> <b>Sr. High Mission Trip</b>

# St. Andrew Connections

St. Andrew United Methodist Church  
4703 N. 50 W.  
West Lafayette, IN 47906  
Thursday, July 08, 2010

RETURN SERVICE REQUESTED

NON-PROFIT ORG.  
U. S. POSTAGE  
PAID  
Lafayette, Indiana  
PERMIT NO. 54

## ST. ANDREW CONNECTIONS

St. Andrew UMC

Phone: 497-7755

Traditional Worship: Sunday 8:45 a.m.

Contemporary Worship: Sunday 11:00 a.m.

Sunday School: 10:00 a.m.

Childcare provided at all times



You can continue to access our web page at <http://andrew-umc.org>

### Your St. Andrew Staff

Pastor:	Tim Burchill
CrossRoads Pastor:	Pat Sleeth
CrossRoads Dir. of Programs:	Dana Kirkwood
Administrative Secretary:	Donna Biehl
Financial/Office Asst:	Tricia Sembroski
Dir. of Children's Ministry:	Melissa Martin
Dir. of Music Ministry:	Dave Evans
Organist/Pianist:	LuAnn Boggess
Asst. Organist/Pianist:	Lisa Tally
Chancel Choir Director:	Ben Waltz
Dir. Of InTouch Ministry:	Monica Arrowsmith
Coordinator InTouch Ministry:	Laurie Klenosky
Joyful Sound Director:	Jeni Leaird
Caretaker:	Linda Hamilton
Nursery Coordinator:	Kathy Rogers

### E-Mail Addresses

<a href="mailto:tim@andrew-umc.org">tim@andrew-umc.org</a>
<a href="mailto:pat@andrew-umc.org">pat@andrew-umc.org</a>
<a href="mailto:dana@andrew-umc.org">dana@andrew-umc.org</a>
<a href="mailto:donna@andrew-umc.org">donna@andrew-umc.org</a>
<a href="mailto:tricia@andrew-umc.org">tricia@andrew-umc.org</a>
<a href="mailto:melissa@andrew-umc.org">melissa@andrew-umc.org</a>
<a href="mailto:dave@andrew-umc.org">dave@andrew-umc.org</a>
<a href="mailto:luann@andrew-umc.org">luann@andrew-umc.org</a>
<a href="mailto:lisa@andrew-umc.org">lisa@andrew-umc.org</a>
<a href="mailto:ben@andrew-umc.org">ben@andrew-umc.org</a>
<a href="mailto:monica@andrew-umc.org">monica@andrew-umc.org</a>
<a href="mailto:laurie@andrew-umc.org">laurie@andrew-umc.org</a>
<a href="mailto:jeni@andrew-umc.org">jeni@andrew-umc.org</a>
<a href="mailto:linda@andrew-umc.org">linda@andrew-umc.org</a>
<a href="mailto:kathy@andrew-umc.org">kathy@andrew-umc.org</a>